

Reliable special designed instrument



1. Colorful LCD display screen with high resolution; adjustable backlight brightness;
2. CAN bus meter to read the fault code directly;
3. Front and rear protection degree: IP 66;
4. Working temperature: -30°C~+75°C; temperature for storage: -40°C~+85°C;
5. Multi-level programmable menu;
6. More than 20 alarm indicators and 6 simulation indicators can monitor engine and trucks at the same time to protect operator and truck safety;
7. Alarm according to different grade: there are two alarm grade: the indicator will flicker for the first grade alarm and the buzzer will sound up for the second grade alarm;
8. Chinese and English are optional;
9. Point check;
10. Identity recognition;
11. GPS (optional) .

	engine coolant temperature		charging indication		left turning		oil and water separator
	fuel level		block of air cleaner		right turning		high temperature of exhaust
	temperature of torque converter oil		hand brake		start waiting		DPF cleaning
	Pressure of torque converter oil		seat switch		engine stop		forible no generation of DPF
	LPG pressure		neutral indicator		alarm of low fuel		low level of DEF
			safety belt switch		alarm of engine oil pressure		fault of fingertip control
			low brake pressure		preheating indication		
			engine alarm		hourmeter		
			engine warning				

Optional

- | | |
|------------------------------|---|
| warning light | full suspension seat |
| cab | heater |
| dual tyre of front wheel | travelling OPS |
| solid tyre (optional) | fire extinguisher |
| thread | over speed alarm |
| synchronized steering system | automatic weight system, overload alarm |
| coarse filter | rear view system |
| rear lamp | truck networking |
| protection sleeve | start with card |
| | start with password |



ANHUI HELI CO., LTD.
 DISTRIBUTOR: ANHUI HELI INDUSTRIAL VEHICLE IMP. & EXP. CO., LTD.
 ADD: NO 668 Fangxing Street, Hefei 230601, China
 TEL: (86 551) 63639068, 63639566
 FAX: (86 551) 63639966
 WEBSITE: www.helichina.net

AUTHORIZED DEALER

Catalog No.191218 Fokeli Print

8000-10000 lbs (4-5 t)

G3 series Internal Combustion Counterbalanced Forklift Truck



NEW GENERATION SUPERIOR QUALITY

www.helichina.com

8000-10000 lbs (4-5 t)

A design model of perfect combination of aesthetics and functional design

new generation of products with intelligent, safe, high efficient and energy saving and environmental friendly characteristics



More reliable

- > The truck is assembled with dual guide-wheel transmission box which offers large ratio (more than 5) and thus truck acceleration and gradeability are improved largely.
- > Donaldson air cleaner ensures enough clean air for engine and the total efficiency reaches to 99.8%.
- > Operation safety is largely improved with maintenance-free wet type drive axle and normally closed parking brake.
- > Smart instrument monitors truck status overally and thus the truck is safe and reliable.
- > Enlarged aluminum fin-type radiator improves cooling performance.

Safer

- > The counter weight without tail structure reduces truck center of gravity and improves lateral stability.
- > Integral type welded overhead guard with high strength improves operation safety.
- > Auxiliary control system of parking improves the safety and service life of parking brake.
- > OPS system improves operation safety.
- > Safe starting on neutral and anti restarting of engine improves operation safety.
- > Automatic alarm when over speed (optional)



More energy saving

- > Variable pump with load sensing system makes the truck more energy saving. (optional)
- > Optimized design of hydraulic system effectively reduces truck fuel consumption.
- > LED lights make truck more energy saving.

More comfortable

- > Synchronized steering of steering wheel and tyres reduces operation fatigue.
- > With thumb switch, driving fatigue is reduced.(optional)
- > Switch type electronic parking brake is easy for operation.
- > Lowering of tilting cylinder enlarges leg space.
- > Suspension seat, backward handle with horn and wide view mast improve driving experience.
- > Buffering structure of drive axle improves driving comfort.
- > Optimized design of counter weight improves backward view.

Easier maintenance

- > 80° opening angle of hood makes maintenance easier.
- > Removable wind gathering cover and filter screen make maintenance easy.

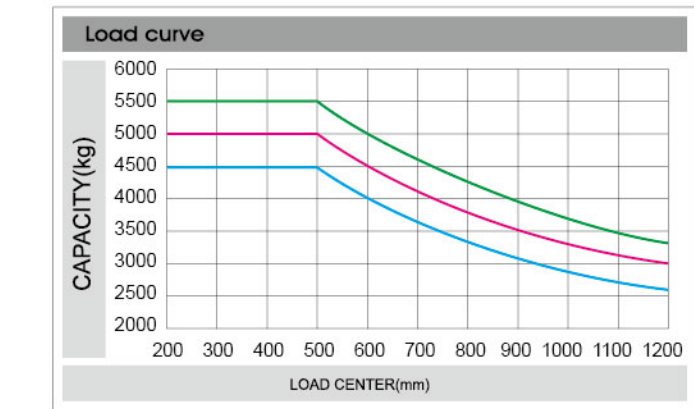
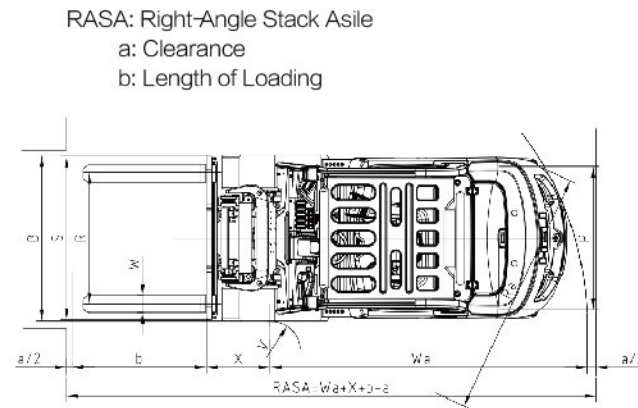
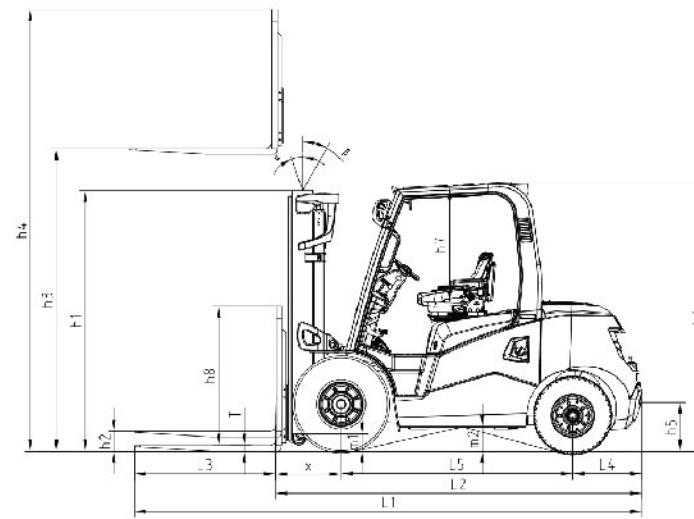
8000-10000 lbs (4-5 t)

Manufacturer and technical parameters

Characteristics								
1.01	Manufacturer HELI							
1.02	Model		CPCD40/CP(Q)YD40	CPCD45/CP(Q)YD45	CPCD50/CP(Q)YD50			
1.03	Load center	in. mm	24(20) 600(500)					
1.04	Rated capacity	lbs kg	8000(9000) 4000(4500)	9000(10000) 4500(5000)	10000(11000)	5000(5500)		
1.05	Power type	Diesel(Dual/LPG)						
1.06	Driving mode	Sit-on type						

Dimensions								
2.01	Max.fork lifting height(With backrest)	h4	in. mm	166.7 4235	166.7 4235	173 4395		
2.02	Max.lifting height	h3	in. mm	118 3000	118 3000	118 3000		
2.03	Mast overall height (Fork to the ground and mast be vertical)	h1	in. mm	88.6 2250	88.6 2250	88.6 2250		
2.04	Backrest height (Calculated from the surface of the fork)	h8	in. mm	47.6 1210	47.6 1210	54.9 1395		
2.05	Free lift height	h2	in. mm	5.9 150	5.9 150	5.9 150		
2.06	Fork thickness	T	in. mm	2 50	2 50	2.2 55		
2.07	Fork length	L3	in. mm	48 1220	48 1220	48 1220		
2.08	Fork width	W	in. mm	5.9 150	5.9 150	5.9 150		
2.09	Min.ground clearance(At the mast)	m1	in. mm	5.9 150	5.9 150	5.9 150		
2.10	Overall length(With fork)	L1	in. mm	171 4340	171 4385	171 4455		
2.11	Overall length(Without fork)	L2	in. mm	123 3120	123 3165	123 3235		
2.12	Front overhang	X	in. mm	22.2 565	22.2 565	22.4 570		
2.13	Wheel base	L5	in. mm	78.7 2000	78.7 2000	78.7 2000		
2.14	Rear overhang	L4	in. mm	21.8 555	23.6 600	26 660		
2.15	Traction pin height	h5	in. mm	16.5 420	16.5 420	16.5 420		
2.16	Distance from the surface of the seat to the overhead guard	h7	in. mm	40 1020	40 1020	40 1020		
2.17	Overall height(Overhead guard)	h6	in. mm	91.3 2320	91.3 2320	91.3 2320		
2.18	Overall width	B	in. mm	60.6 1450	60.6 1450	60.6 1450		
2.19	Fork adjustable range(the extenal of the fork)	S	in. mm	11.8-54 300/1374	11.8-54 300/1374	11.8-54 300/1374		
2.20	Front tread	R	in. mm	45.3 1150	45.3 1150	45.3 1150		
2.21	Rear tread	P	in. mm	46.8 1190	46.8 1190	46.8 1190		
2.22	Turning radius(Interior)	V	in. mm	9.8 250	9.8 250	9.8 250		
2.23	Min.turning radius	Wa	in. mm	111.6 2835	113.4 2880	115.7 2940		
2.24	Min.right angle aisle width	Ra	in. mm	106.9 2715	108.7 2760	111 2820		
2.25	Mast tilting angle	α / β	deg.	6° ~12°	6° ~12°	6° ~12°		

Weight								
3.01	Total weight	lbs kg	14352 6510	15080 6840	16424 7450			
Wheel and tyre								
4.01	Wheel number x = drive wheel (Front/Rear)	2X/2						
4.02	Tyre type(Front/Rear)	Pneumatic tyre						
4.03	Tyre size(Front/Rear)	2-300-15-18PR / 2-7.00-12-14PR						
4.04	Wheels load (loaded)front/rear	20128/3042		21650/3351		23942/3505		
4.05	Wheels load (unloaded)front/rear	6173/8180		5952/9128		6481/9943		
4.06	Service brake	Hydraulic assisted-pedal type-wet type brake						
4.07	Parking brake	Electronic rocker switch-wet type brake						



NOTE:
Vertical axle stands for load capacity while horizontal axle stands for load center. Load center is the distance counted from the front of the fork. The base point of the standard load is the center point of the cubic with the same 1200mm dimension in length, width and height. The load capacity should be down, if mast tilts forward, using non-standard forks or loading goods with extra width. Please notice the different load capacity between different load centers according to load chart.

WIDE VIEW MAST										
mast model	Max. lifting height (in./mm)	load capacity (load center 24in./600mm)(kg)			mast overall height (fork to the ground) (in./mm)	free lifting height (in./mm)	mast tilting angle (°) α / β			
		CPCD40/CP(Q)YD40	CPCD45/CP(Q)YD45	CPCD50/CP(Q)YD50						
		lbs/kg	lbs/kg	lbs/kg						
M250	98/2500	8000/4000	9000/4500	10000/5000	79/2000	6/150	6°/12°			
M300	118/3000	8000/4000	9000/4500	10000/5000	89/2250	6/150	6°/12°			
M330	130/3300	8000/4000	9000/4500	10000/5000	94/2400	6/150	6°/12°			
M350	138/3500	8000/4000	9000/4500	10000/5000	98/2500	6/150	6°/12°			
M370	146/3700	8000/4000	9000/4500	10000/5000	102/2600	6/150	6°/12°			
M400	157/4000	8000/4000	9000/4500	10000/5000	110/2800	6/150	6°/12°			
M425	167/4250	*7600/3800	*8600/4300	*9400/4700	115/2925	6/150	6°/6°			
M450	177/4500	*8000/4000	*9000/4500	*10000/5000	120/3050	6/150	6°/6°			
M475	187/4750	*8400/4200	*9400/4700	*10400/5200	125/3175	6/150	6°/6°			
M500	197/5000	*8800/4400	*9800/4900	*10800/5400	130/3300	6/150	6°/6°			
M550	217/5500	*9400/4700	*10400/5200	*11400/5900	142/3600	6/150	3°/6°			
M600	236/6000	*10000/5000	*11000/5500	*12000/6000	152/3850	6/150	3°/6°			

Performance														
Model			CPCD40		CPCD45		CPCD50		CP(Q)YD40		CP(Q)YD45		CP(Q)YD50	
Lifting speed (loaded/unloaded)	fpm	mm/s	104/110	530/560	98/102	500/520	98/102	500/520	108/115	550/585	104/108	530/551	104/108	530/551
lowering speed (loaded/unloaded)	fpm	mm/s			108/102	550/520					108/102	550/520		
max. Operation speed (loaded/unloaded)	mph	km/h			14.3/15.5	23/25					15.5/16.1	25/26		
max. Gradeability (loaded/unloaded)			46/28		41/28		36/28		44/25		39/25		34/25	
max. Drawbar(loaded)					43000						38000			
drive and transmission devices														
Battery voltage/capacity	V/kWh	V/Ah			2x12/1.92	2x12/80					12/1.92	12/80		
Engine model					Deutz TCD 3.6 diesel engine						PSI 4.3L Dual/LPG (Certified)			
Engine rated power	HP/rpm	kW/rpm			74/2200	55.4/2200			LPG:103.18/2300 GAS:101.84/2300		LPG:77/2300 GAS:76/2300			
Engine rated torque	(lb-ft)/rpm	Nm/rpm			288/1300	390/1300			LPG:245.80/1400 GAS:234.83/2300		LPG:332.85/1400 GAS:318/2300			
Engine cylinder number					4						6			
Engine displacement	cu.in.	L			219.7	3.6					262.4	4.3		
Capacity of engine fuel tank	gal	L			26.4	100					26.4	100		
Transmission gears (front/rear)					1/1-POWER SHIFT						1/1-POWER SHIFT			

WIDE VIEW FULL FREE 2-STAGE MAST									
mast model	Max. lifting height (in./mm)	load capacity (load center 24in./600mm)(kg)			mast overall height (fork to the ground) (in./mm)	free lifting height (in./mm)			mast tilting angle (°) α / β
		CPCD40/CP(Q)YD40	CPCD45/CP(Q)YD45	CPCD50/CP(Q)YD50					
		lbs/kg	lbs/kg	lbs/kg					
ZM250	98/2500	8000/4000	9000/4500	10000/5000	79/2000	31/790	25/640	6°/12°	
ZM300	118/3000	8000/4000	9000/4500	10000/5000	89/2250	41/1040	35/890	6°/12°	
ZM330	130/3300	8000/4000	9000/4500	10000/5000	94/2400	47/1190	41/1040	6°/12°	
ZM350	138/3500	8000/4000	9000/4500	10000/5000	98/2500	51/1290	45/1140	6°/12°	
ZM370	146/3700	8000/4000	9000/4500	10000/5000	102/2600	55/1390	49/1240	6°/12°	
ZM400	157/4000	8000/4000	9000/4500	10000/5000	110/2800	63/1590	57/1440	6°/12°	
ZM425	167/4250	*7600/3800	*8600/4300	*9400/4700	115/2925	68/1715	62/1565	6°/6°	
ZM450	177/4500	*8000/4000	*9000/4500	*10000/5000	120/3050	72/1840	67/1690	6°/6°	
ZM475	187/4750	*8400/4200	*9400/4700	*10400/5200	125/3175	77/1965	72/1815	6°/6°	
ZM500	197/5000	*8800/4400	*9800/4900	*10800/5400	130/3300	82/2090	76/1940	6°/6°	
ZM550	217/5500	*9400/4700	*10400/5200	*11400/5900	142/3600	94/2390	88/2240	3°/6°	
ZM600	236/6000	*10000/5000	*11000/5500	*12000/6000	152/3850	104/2640	98/2490	3°/6°	

Note: Free lift for 4.4.5t (without backrest):+290mm/11.4in.
Free lift for 5t (without backrest):+410mm/16.1in.

WIDE VIEW FULL FREE 3-STAGE MAST										
mast model	Max. lifting height (in./mm)	load capacity (load center 600mm)(kg)			mast overall height (fork to the ground) (in./mm)		free lifting height (in./mm)		mast tilting angle (°) α / β	
		CPCD40/CP(Q)YD40	CPCD45/CP(Q)YD45	CPCD50/CP(Q)YD50						
		lbs/kg	lbs/kg	lbs/kg						
ZSM360	142/3600	*8000/4000	*9000/4500	*10000/5000	77/1950	79/2000	29/740	25/640	6°/6°	
ZSM400	157/4000	*8000/4000	*9000/4500	*10000/5000	82/2090	84/2140	35/880	31/780	6°/6°	
ZSM435	171/4350	*8000/4000	*9000/4500	*10000/5000	87/2200	89/2250	39/990	35/890	6°/6°	
ZSM450	177/4500	*8000/4000	*9000/4500	*10000/5000	89/2250	91/2300	41/1040	37/940	6°/6°	
ZSM470	185/4700	*8000/4000	*9000/4500	*10000/5000	93/2365	93/2365	45/1155	40/1005		